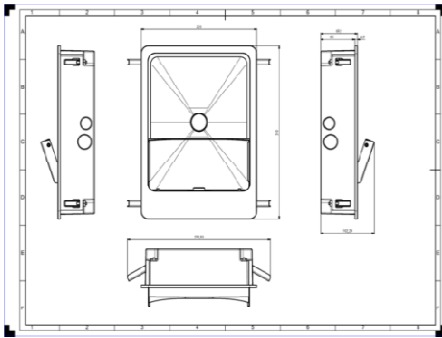


iDock flush-mounted housing



Flush mounted housing iDock-Docking Station for horizontal and vertical mounting

- For renovation and new construction
- Cavity Wall mounting
- Flush mounting

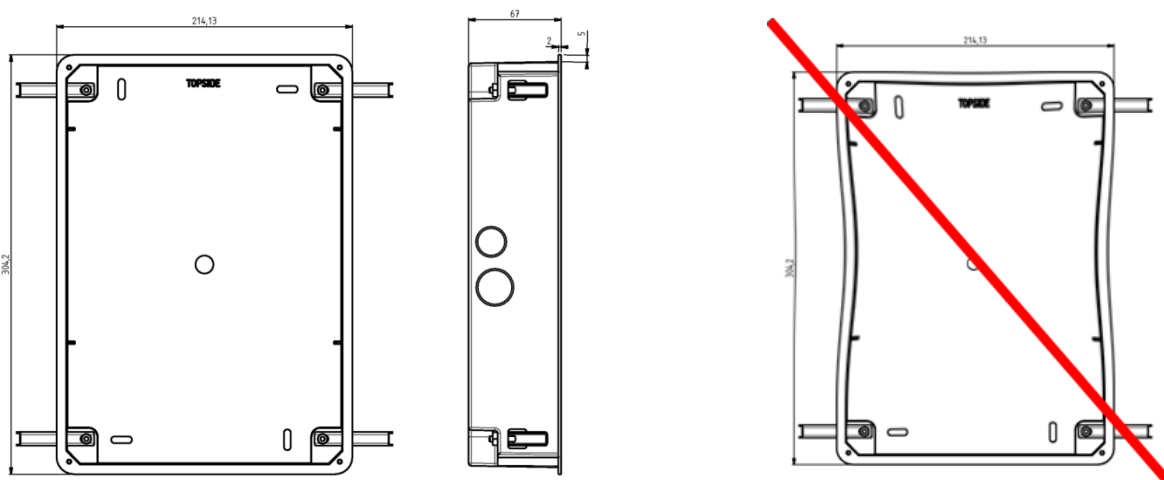
General Notes

During Installation of the flush-mounted housing the installer has to execute an installation without deformation. Swelling mounting mediums should be avoided to minimize the risk of deformation. During installation the protective card has to be placed in.

Function Description

The iDock Docking Station may only be used with the concerning flush-mounted back box. Operation without the flush-mounted back box will void the warranty. Misuse is prohibited.

Detailed drawings:



Content:

1 pcs. Flush-mounted housing • 1 pcs. protective card • 1 pcs. cavity wall mounting set • 1 pcs. description

Packing unit

1 pcs.

Packing

Carton box