



Model: WS for Saturn Zen™

Family: WALL-SMART

DWG NO. 10-04-578-SPC

Model No.: 10-01-578

PRODUCT SPEC.

REVISION A

DATE 27/Nov./2016



Make Your Wall Smart

“WS for Saturn Zen™” Product description:

The “WS for Saturn Zen™” is an adapter for in-wall flush installation of a Saturn Zen™ Keypad.

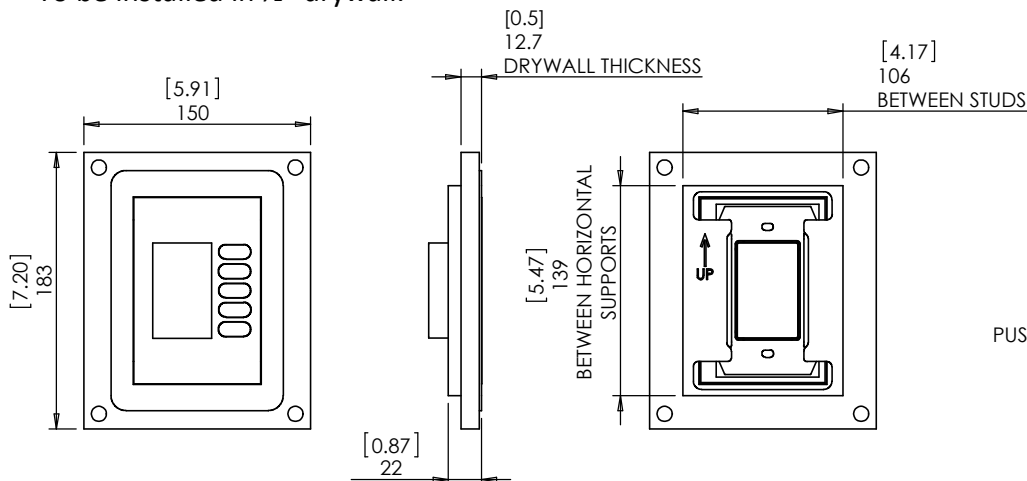
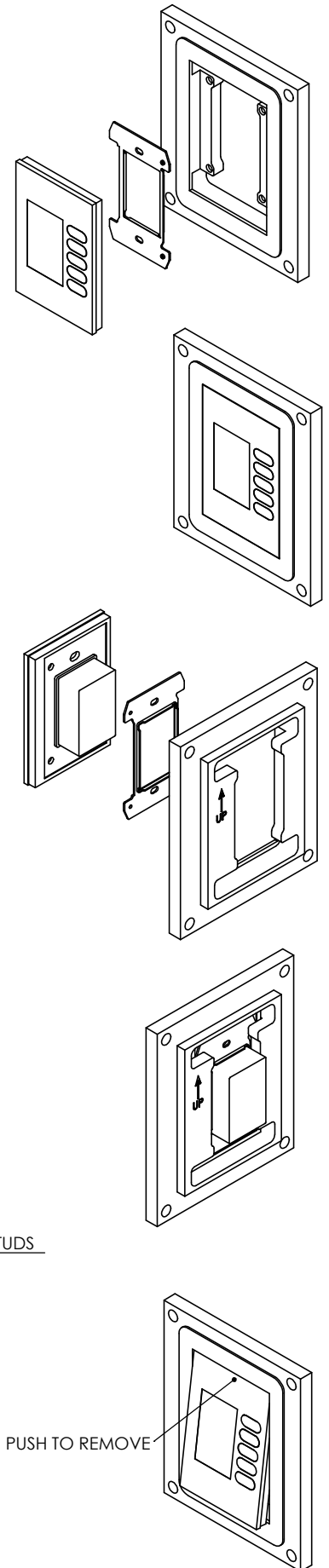
The “WS for Saturn Zen™” firmly mounts the keypad while allowing easy access, insertion and removal.

Key features and benefits:

- Flush with the wall.
- Paintable with the wall paint in any color and texture.
- Allows easy insertion and removal of the keypad by manual push and magnet detachment of the keypad tray.
- The adapter is supplied unpainted (To be painted after installation as part of the wall).
- Designed to be installed in ½” drywall. Installation of the Wall-Smart adapter is straight-forward. Installation process is similar to drywall construction procedures. Before installation, read Wall-Smart installation instruction 10-04-00101-INS in <http://www.wall-smart.com/faq>
- For installation in concrete/block wall use “WS Concrete box 183x150” P/N 10-01-092 (sold separately) according installation instruction 10-04-00103-INS in <http://www.wall-smart.com/faq>
- Designed for the use with Saturn Zen™ Keypad (by CLIPSAL© or Schneider Electric) (keypad and back box not included).
- Adapter kit contains:
 1. Wall adapter;

Key properties:

- Dimensions (W/H/D): 150mm (5.91")/ 183mm (7.2")/ 22mm (0.85")
- Power Supply: None (manual adapter).
- Weight: 0.25Kg, 0.55pounds.
- To be installed in ½” drywall.



PUSH TO REMOVE